



WWW.BEVANANDA.COM



BEVARAZOR

WE GOT YOU COVERED!

MILITARY STANDARD BARBED WIRE MADE FROM HIGH TENSILE WIRE WITH BLADES THAT MADE IT IMPOSSIBLE TO CUT WITH STANDARD TOOL. DESIGNED TO PREVENT INTRUSION ALONG PRIMETER BARRIERS.





ABOUT

Beva Razor Wire (also known as barbed type) is the modern version of barbed wire, designed to prevent intrusion along perimeter barriers.

Beva Razor Wire is fabricated from a high tensile wire (virtually impossible to cut with standard tools) onto which a multitude of razor-sharp barbs are fitted at close intervals.

The barbs are designed to have a piecing and gripping action.

The wire is heavy galvanised with minimum weight 240 gr/m² and blade plate with minimum thickness 0.5 mm to prevent corrosion"

ADVANTAGES

- High tensile strength wire
- High security
- Easy installation

APPLICATIONS

- National Border
- Military Base
- Prison
- Border Fence
- Telecommunication Station
- Industrial & Commercial areas
- Residential security
- Oil Plantation Site
- Other important areas that need high security protection

AUTHORIZED DISTRIBUTOR :

OUR PRODUCTS



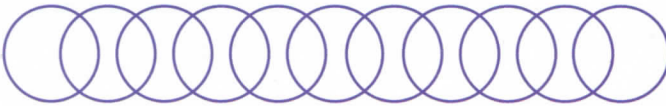
CONCERTINA RAZOR



TYPE	BEVA 450 R	BEVA 730 R	BEVA 980 R
Coil Diameter	450 mm	730 mm	980 mm
Coil Diameter when Stretched	400 mm	620 mm	850 mm
Spiral Turn per Coil	54	54	54
Clips per spiral	3	5	5
Recommended Stretch Length	8-10 meter	10-12 meter	10-12 m
Available in 2 Razor Blade Options:	M series & R Series	M series & R Series	M series & R Series

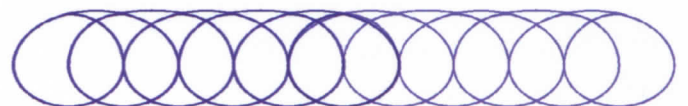
FLAT WRAP RAZOR

SINGLE FLAT WRAP



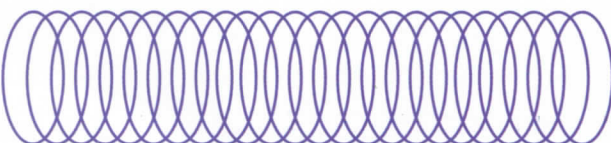
TYPE	FWR 500 S
Coil Diameter	500 mm
Recommended Stretch Length	15 m
Razor Blade Series:	R SERIES

CONTINUOUS FLAT WRAP



TYPE	FWR 500 S
Coil Diameter	500 mm
Recommended Stretch Length	15 m
Razor Blade Series:	R SERIES

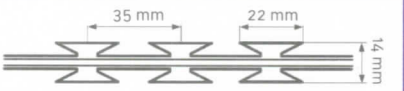
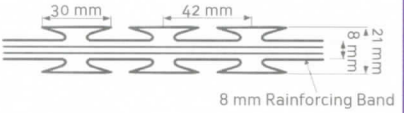
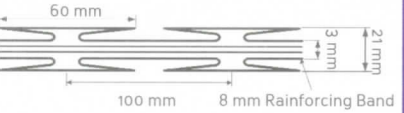
SPIRAL RAZOR



TYPE	S 500R S	S 500R B
Coil Diameter	500 mm	500 mm
Recommended Stretch Length	8 - 10 m	15 - 20 m
Spiral Turn per Coil	41	82
Clips per Spiral	N/A	N/A
Razor Blade Series:	R SERIES	R SERIES

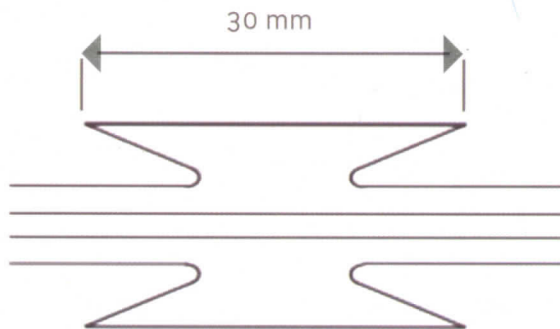
PRODUCT SPECIFICATION

BEVA RAZOR BLADE PROFILE

Series	Blade Profile	Blade Thickness mm	Core Wire Diameter mm	Barb Length mm	Barb Width mm	Barb Spacing mm
BEVA M Series		0.5 ± 0.05	2.5 ± 0.1	22 ± 1	14 ± 1	35 ± 1
BEVA R Series		0.5 ± 0.05	2.5 ± 0.1	30 ± 1	21 ± 1	42 ± 1
BEVA LB65 Series		0.5 ± 0.05	2.5 ± 0.1	65 ± 2	21 ± 1	100 ± 2

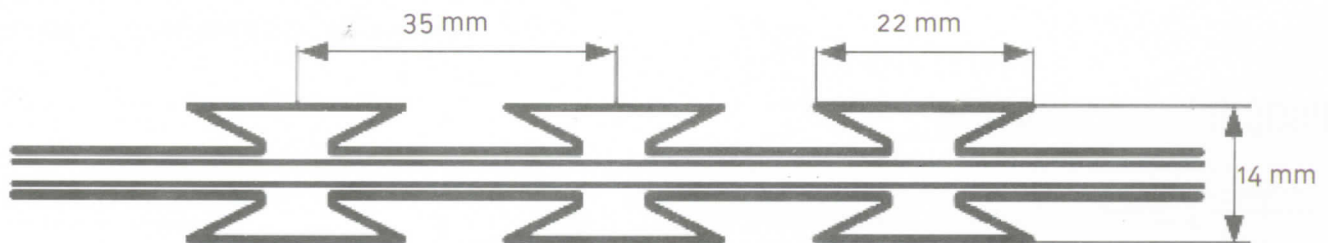
R Series :

Blade Size : 30 mm



M Series :

Blade Size : 22 mm



- All Specification can be change without prior notice
Spesifikasi dapat berubah sewaktu-waktu bila diperlukan
- Special Order can be made for special application
Pesanan khusus dapat dibuat sesuai dengan kebutuhan

OUR PRODUCTS



MINI DEPLOY SYSTEM

Bevananda Mini Deploy System is the latest innovation to replace the conventional barricade system.

The system is designed to provide rapid deployment of razor wire coils, which can be deployed in seconds.

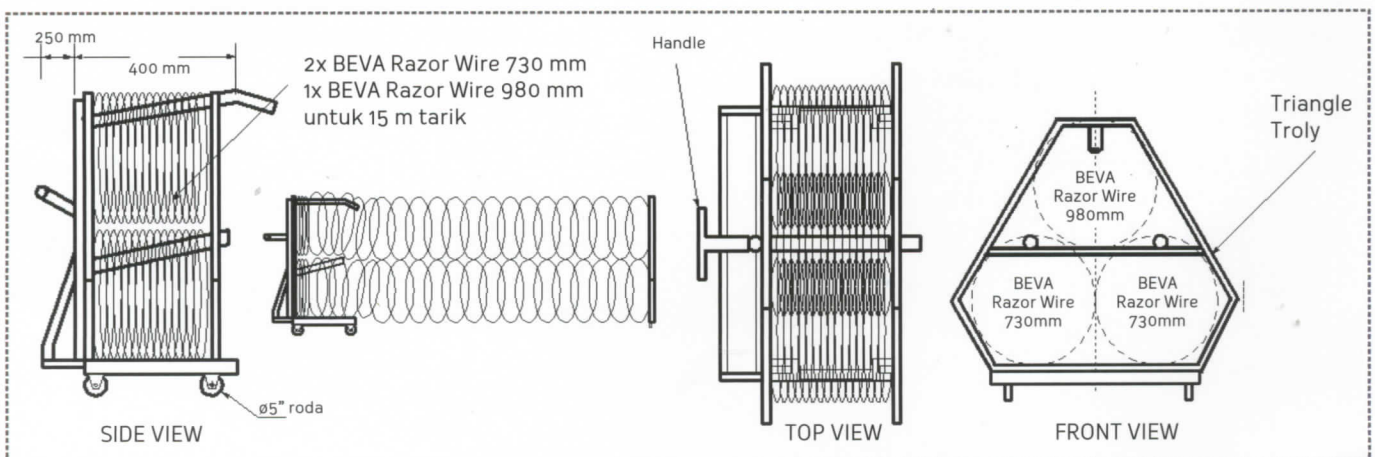
Our mini deployment system is for human-used.

For emergency situation, two persons can just deploy the trolley to create an emergency barricade.

Advantage

- Fast
- Reusable
- High security
- Low cost
- No need special tools

PRODUCT ILLUSTRATION





WWW.BEVANANDA.COM



BEVABARB

WE GOT YOU COVERED!

STANDARD BARBED WIRE PRODUCT FOR STANDARDIZED SECURITY PERIMETER,
WHICH CAN ALSO BE USED AS ACCESSORIES ON TOP OF THE FENCE

SNI 07-0107-1987
STANDAR NASIONAL INDONESIA

KAN
Komite Akreditasi Nasional
Lembaga Sertifikasi Sistem Mutu





ABOUT

BEVA Barb is a type of steel fencing wire constructed with sharp edges or points arranged at intervals along the strand(s).

BEVA Barb can be used to construct inexpensive fences or used atop the walls / fence to give additional security for the property.

BEVA Barb is manufactured according to SNI 07-0107-1987 with a high quality raw material i.e Standard Galvanized Wire, Heavy Galvanized Wire, or Galvanized Wire with PVC Coated (with optional color)

ADVANTAGES

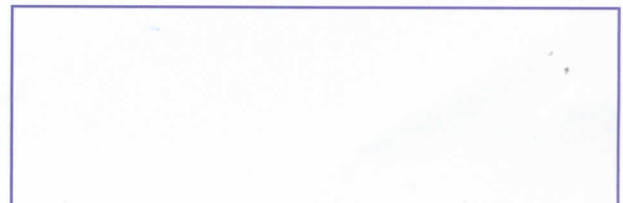
- **LOW COST**
BEVA Barb fencing only requires fence posts, wire and staples
- **EXTRA SECURITY**
May cause discomfort / possible injury for a trespasser
- **EASY INSTALLATION**
Does not require any special skills

APPLICATION

- Compliment Product for Standard Fence,
- Manufacture Plant
- Commercial Area
- Embassy
- Warehouse
- Cargo Areas
- Airport
- Mining Plant

SNI 07-0107-1987
STANDAR NASIONAL INDONESIA

AUTHORIZED DISTRIBUTOR :



PRODUCT SPECIFICATION

BEVA BARB

Material Type	Standard Galvanized	Heavy Galvanized	PVC Coated Color
Core Wire Diameter	2.0 mm	2.0 mm	1.6 mm → 2.7 mm
Barb Wire Diameter	2.7 mm	2.7 mm	2.0 mm → 3.2 mm
Barb Spacing	10 cm	10 cm	10 cm
Lenght per Coil	50 m	50 m	50 m
Galvanized Weight	40 - 70 g/m ²	260 - 300 g/m ²	40 - 70 g/m ² PVC Coated

COLOR SELECTION FOR PVC COATED



BLACK

GREY

BLUE

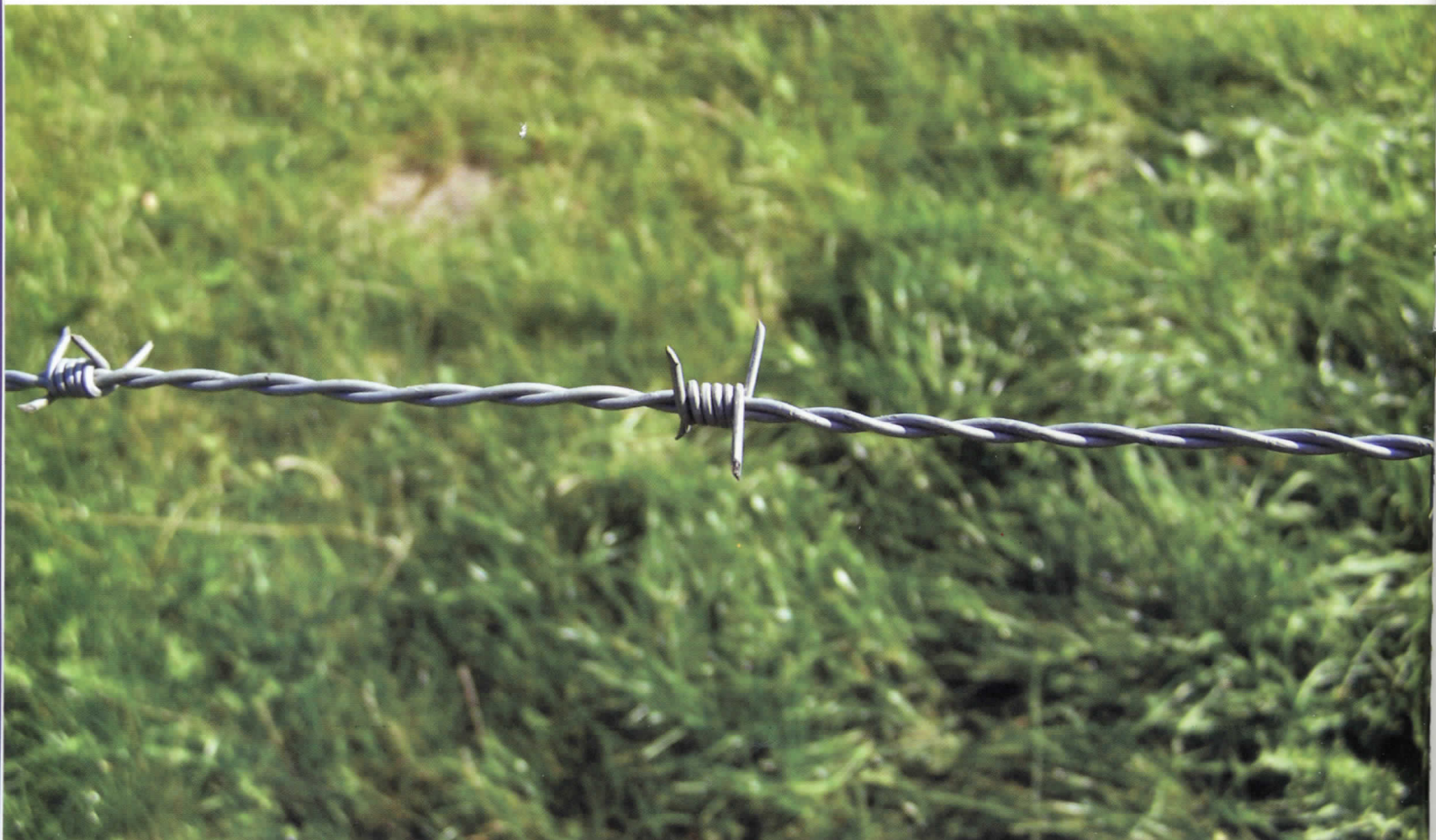
WHITE

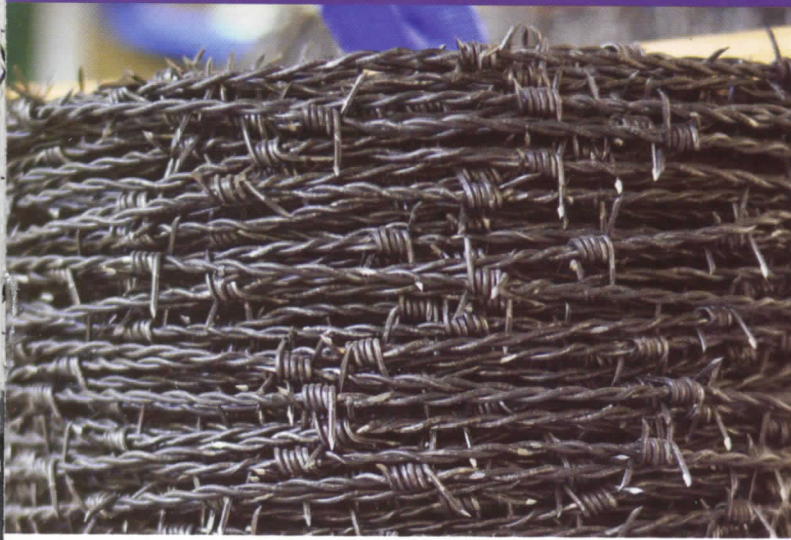
GREEN

RED

YELLOW

BROWN





ABOUT

A new technology for BEVA Barb that offers superior corrosion protection that lasts up to three times longer (when compared to standard galvanized).

Coated with Bekaert Bezinal 2000 wire, under certain circumstances, the wire can resist corrosion for over 20 years.

Certified Quality

To guarantee the uncompromised quality of our products, our HiCa barbed wire conforms to internationally recognized ASTM & AS/NZ standards.

SPECIFICATION

Specification		High Tensile Barbed Wire
Coating	Wire Barbs	Black Bezinal® 2000 Black Bezinal® 2000
Diameter	Wire Barbs	2.00 mm 1.80 mm
Tensile Strength	Wire Barbs	1000/1100 TS (MPa) 400/500 TS (MPa)
Style of Barbs		4 points Barbed Wire
Spacing (Distance between 2 barbs)		4 inch
Dimension / Roll		100 meter

APPLICATIONS

- Agriculture
- Mining
- Fencing
- Crop Protection
- Application on rural properties
- For boundary

Packaging

Wooden Reels